

Item	Description	HP Part No.	Qty
1	Automatic Injection Assembly:		1
	● Needle Guide Top	19245- 20670	-
	● Septum Nut Base Assembly	19245- 80520	-
2	Screw, M4 x 8 mm	0515- 0910	4
3	Septum (Pkg/24)	9301- 0682	-
4	PCOC Insert Spring	19245- 60760	1
5	Inserts:		1
	NOTE		
	Inserts may be identified by the number of rings around them.		
	● Narrow Bore Insert; 200 μ 1 silver ring	19245- 20510	
	● Wide Bore Insert; 320 μ 2 silver rings	19245- 20520	
	● Megabore Insert; 530 μ 0 rings	19245- 20580	
	● Capillary Insert for Glass Columns; 3 silver rings	19245- 20550	
6	Air Deflector	19245- 00090	1
7	On-Column Weldment	19245- 80505	
8	PCOC Inlet Insulation	19245- 20630	1
9	PCOC Cavity Sleeve	19245- 00060	1
10	Screw, M4 x 0.7 x 8	0515- 0106	1
11	Ferrules (Pkg/10)		1
-	Vespel 2% Graphite for 530 μ col	5062- 3511	-
-	Vespel 2% Graphite for 320 μ col	5062- 3513	-
-	Vespel 2% Graphite for 200 μ col	5062- 3515	-
-	Vespel 10% Graphite for 530 μ col	5062- 3512	-
-	Vespel 10% Graphite for 320 μ col	5062- 3514	-
-	Vespel 10% Graphite for 200 μ col	5062- 3516	-
12	Column Nut	18740- 20870	1
13	Heater/Sensor Assembly	19245- 60520	1
14	● Heater, Cartridge, 60 W	19245- 605701	
15	● Contact	1251- 1679	2
16	● PRT Assembly	19231- 60660	1
17	● Contact	1251- 5963	2
18	● Insulation Sleeving (ordered by the inch)	0890- 0737	22
19	Optional Manual Injection Assembly:		
	● Cooling Tower Assembly/ Needle Guide	19320- 80625	-
20	Duckbill (Pkg/10)	19245- 40050	-
NS	Cleaning Wire	19245- 20570	-

Figure 5. Programmable Cool On-Column Capillary Inlet (Sheet 1 of 2).

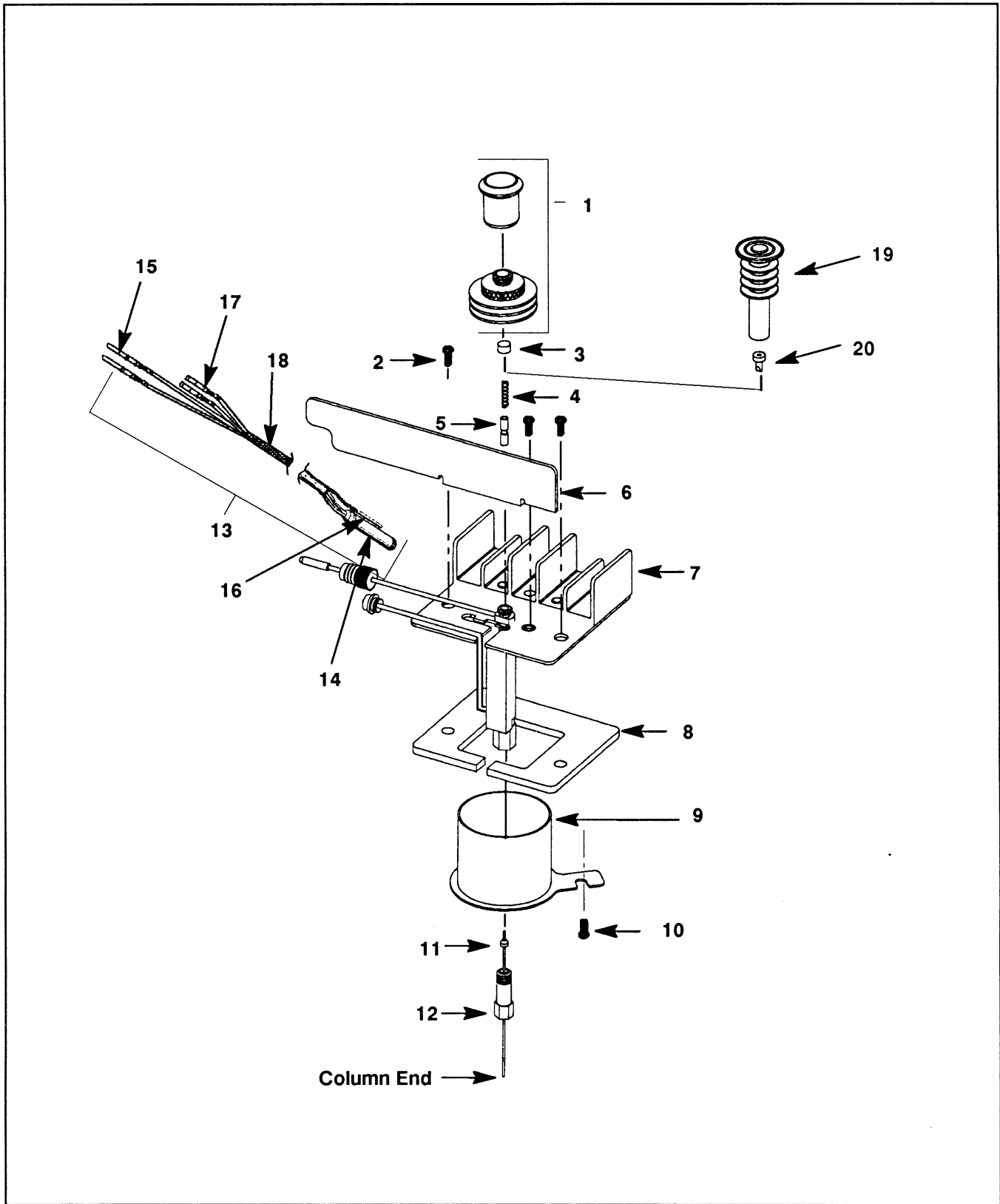


Figure 5. Programmable Cool On-Column Capillary Inlet (Sheet 2 of 2).